

D-70 POWER AMPLIFIER
SCHEMATIC & PARTS LIST

Rev. C
2/2/84

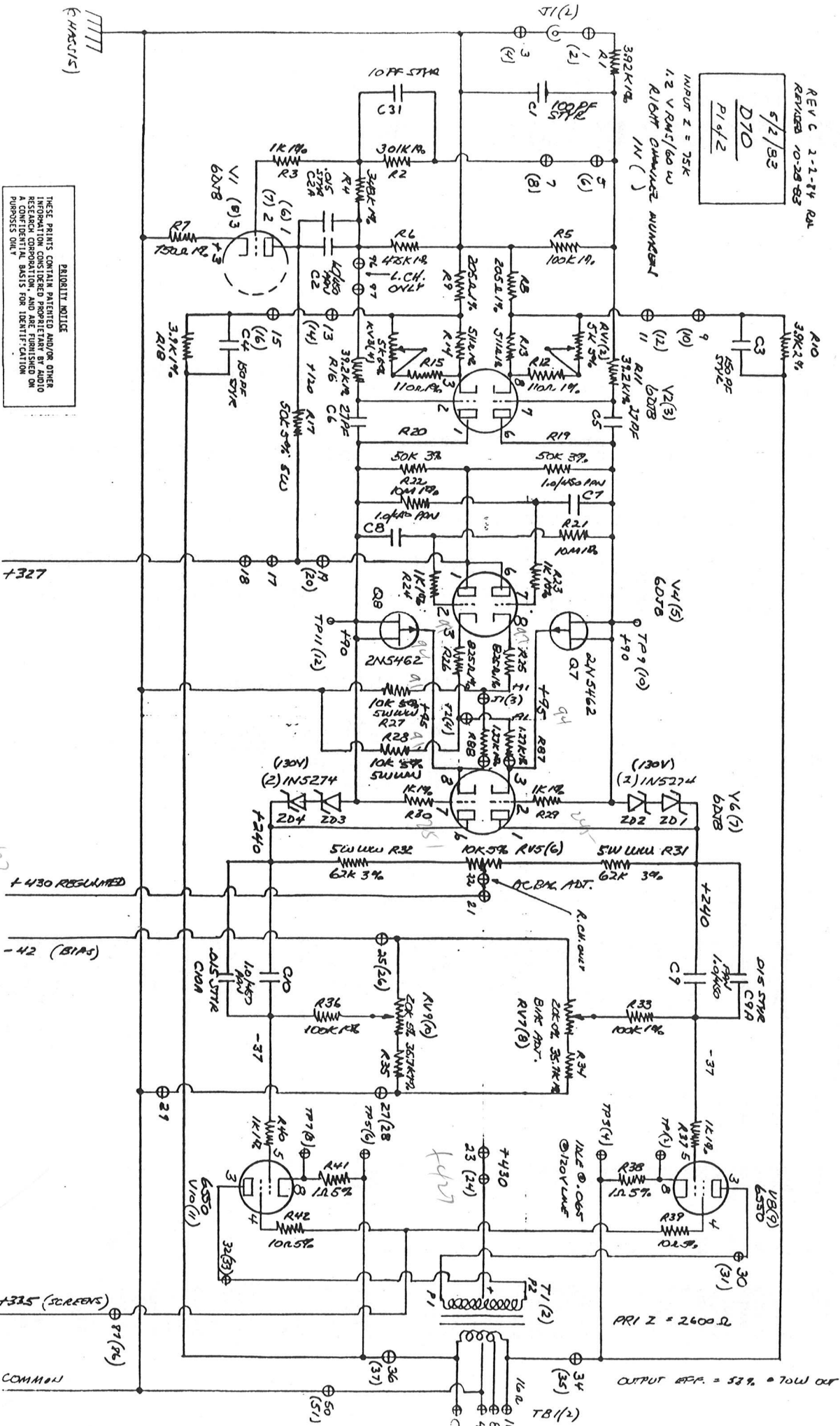
audio research corporation

6801 SHINGLE CREEK PARKWAY
MINNEAPOLIS, MINNESOTA 55430

REV C 2-2-84 RA
 REVISED 10-28-83

5/2/83
 D70
 P1 of 2

INPUT Z = 75K
 1.2 V RMS/60 W
 R/L/B/T CHANNELS NUMBERS
 IN ()



PRIORITY NOTICE
 THESE PRINTS CONTAIN PATENTED AND/OR OTHER
 INFORMATION CONSIDERED PROPRIETARY BY AUDIO
 RESEARCH CORPORATION, AND ARE FURNISHED ON
 A CONFIDENTIAL BASIS FOR IDENTIFICATION
 PURPOSES ONLY.

T427

+430 REGULATED

-42 (BIAS)

T333

+335 (SCREENS)

COMMON

OUTPUT EFF. = 58% @ 70W OUT

D-70 PARTS LIST

D-70 PARTS LIST

COMPONENT	QUAN.	DESCRIPTION	VALUE	RATING	TOL.	ARC PART NO.	COMPONENT	QUAN.	DESCRIPTION	VALUE	RATING	TOL.	ARC PART NO.
R1	2	Metal Film	3.92K	1/2W	1%	42392303	C3, 4	4	Polystyrene	150PF	160V	2.5%	53150200
R2	2	Metal Film	301K	1/4W	1%	42301502	C5, 6	4	Polystyrene	27PF	630V	2%	53270200
R3, 23, 24, 29, 30, 37, 40, 46, 61, 62	17	Metal Film	1.0K	1/4W	1%	42100302	C11, 25-29	6	Polystyrene	.22UF	100V	10%	53220506
R4	2	Metal Film	348K	1/4W	1%	42348802	C12	1	Electrolytic	150UF	75V	10%	50150890
R5	2	Metal Film	100K	1/2W	1%	42100503	C13	1	Electrolytic	.01UF	1600V	10%	53100403
R6	2	Metal Film	475K	1/2W	1%	42475503	C14	1	Electrolytic	530UF	150V	10%	50530890
R7	2	Metal Film	750	1/4W	1%	42750202	C15	1	Electrolytic	5.0UF	200V	10%	53500604
R8, 9	4	Metal Film	1.5K	1/2W	1%	42150302	C16, 17	2	Met. Polyprop.	800UF	450V	10%	50100907
R10, 18	4	Metal Film	205	1/2W	2%	42205203	C18, 19, 23, 30	4	Met. Polyprop.	2.0UF	450V	10%	53200602
R11, 15	4	Metal Film	3.9K	1W	2%	46390301	C20, 21A	2	Electrolytic	100UF	150V	10%	50100703
R12, 15	4	Metal Film	110	1/4W	1%	42110202	C24	1	Electrolytic	1000PF	25V	5%	53100301
R13, 14	4	Metal Film	511	1/2W	1%	42150303	C31	2	Polystyrene	10PF	630V	5%	53100100
R17, 19, 20	6	Metal Film	511	1/4W	1%	42150303	C32	1	Polystyrene	5PF	630V	10%	53500000
R21, 22	4	Metal Film	50K	5M	1%	42150303	C35	1	Polystyrene	220PF	500V	2.5%	53220200
R25, 26	4	Metal Film	100K	3/4W	1%	43500400	C35	9	Polysilic	5PF	500V	10%	57500000
R27, 28	4	Metal Film	10K	1/2W	1%	42110202	C35	1	Polysilic	5PF	500V	10%	57500000
R31, 32	4	Metal Film	62K	5M	3%	43620400	D1-4, 13-16, 17	4	Polysilic	1A	600V	50V	30500400
R33, 36, 79	5	Metal Film	33K	3M	3%	43330401	D5-8	4	Polysilic	3A	600V	50V	30503300
R34, 35	4	Metal Film	100K	1/4W	1%	42100504	D9-12	4	Polysilic	3A	600V	50V	30501500
R38, 41, 76	5	Metal Film	35.7K	1/4W	1%	42357402	D18-21	4	Polysilic	3A	100V	5%	30509300
R39, 42, 60	5	Metal Film	1.0	2W	5%	43100002	Z01-4	8	Polysilic	1/2W	130V	5%	30503800
R43, 83	2	Metal Film	10	2W	5%	43375200	Z05-10	6	Polysilic	1W	47V	5%	30503200
R44	1	Metal Film	511	1/4W	1%	43100105	Z011	1	Polysilic	5M	75V	10%	30502900
R45	1	Metal Film	4.64K	1/4W	1%	42511202	Z012	1	Polysilic	1W	20V	10%	30503700
R47	1	Metal Film	5.11K	1/4W	1%	42511202	Z013	1	Polysilic	5M	24V	10%	30503500
R48-53	6	Carbon Comp.	470	2W	10%	40470205	Z014, 15	2	Polysilic	5M	6.9V	4%	31000700
R54	1	Carbon Comp.	100	1/2W	10%	40100203	Z016	1	Polysilic	1/2W	6.2V	5%	30502100
R55	1	Carbon Comp.	75	W	5%	43750101	Z017	1	Polysilic	5M	250V	5%	30503600
R56	1	Carbon Comp.	22.1K	1/2W	1%	42221403	Z018, 19	2	Polysilic	5M	47V	5%	30500100
R57	1	Carbon Comp.	180K	1W	5%	41180504	F1 240V	1	MDA5 S10	3A	125V	5%	34500402
R58	1	Carbon Comp.	100K	1/2W	5%	41100503	F2	1	MDA5 S10	3A	250V	5%	34500703
R59	1	Carbon Comp.	100K	2W	2%	46100501	F2	1	MDA5 S10	3A	125V	5%	34500304
R63	1	Carbon Comp.	100	1/4W	1%	42100202	F2	1	MDA5 S10	3A	250V	5%	34500304
R64	1	Carbon Comp.	120K	1/2W	5%	41120503	F2	1	MDA5 S10	3A	125V	5%	34500304
R65, 68	2	Carbon Comp.	7.5	2W	5%	41100403	F2	1	MDA5 S10	3A	125V	5%	34500304
R66, 67	2	Carbon Comp.	680	2W	5%	43750001	F2	1	MDA5 S10	3A	125V	5%	34500304
R69	1	Carbon Comp.	470	1W	10%	40680204	F2	1	MDA5 S10	3A	125V	5%	34500304
R70	1	Carbon Comp.	4.99K	1/4W	10%	40470204	F2	1	MDA5 S10	3A	125V	5%	34500304
R71	1	Carbon Comp.	3.01K	1/4W	1%	42499302	F2	1	MDA5 S10	3A	125V	5%	34500304
R72	1	Carbon Comp.	1.0K	1/4W	1%	42301302	F2	1	MDA5 S10	3A	125V	5%	34500304
R73	1	Carbon Comp.	1.0K	1/4W	1%	42100602	F2	1	MDA5 S10	3A	125V	5%	34500304
R74, 75	1	Carbon Comp.	1.0K	1/4W	1%	42118402	F2	1	MDA5 S10	3A	125V	5%	34500304
R77, 78	2	Carbon Comp.	150K	1/2W	1%	42150503	F2	1	MDA5 S10	3A	125V	5%	34500304
R80	1	Carbon Comp.	280K	1/2W	1%	42280503	F2	1	MDA5 S10	3A	125V	5%	34500304
R81, 82	2	Carbon Comp.	280K	1/2W	1%	42280503	F2	1	MDA5 S10	3A	125V	5%	34500304
R84	1	Carbon Comp.	1.82Meg	1/2W	1%	43270401	F2	1	MDA5 S10	3A	125V	5%	34500304
R85	1	Carbon Comp.	47K	2W	5%	41282603	F2	1	MDA5 S10	3A	125V	5%	34500304
R86	1	Carbon Comp.	270K	2W	5%	41470405	F2	1	MDA5 S10	3A	125V	5%	34500304
R87, 88	4	Carbon Comp.	20K	5W	5%	41270505	F2	1	MDA5 S10	3A	125V	5%	34500304
C1	2	Polystyrene	1.27K	1/4W	1%	43200400	F2	1	MDA5 S10	3A	125V	5%	34500304
C2, 7, 8-10	10	Polystyrene	100PF	630V	5%	53100201	F2	1	MDA5 S10	3A	125V	5%	34500304
C2A, (A, 10A, 15A, 19A, 23A, 30A, 34	11	Polystyrene	1.0UF	450V	10%	53100800	F2	1	MDA5 S10	3A	125V	5%	34500304

NOTE: Resistor values are in "ohms" except "K" = x 1,000; "Meg" = x 1,000,000